

# HUXSaver™

## Optical 3G Repeater Core Saving Module

**HUXSaver™** is 2G/3G Optical Repeater Core Saving Module for WCDMA which is 3 Generation Mobile Telecommunication. It means there is no need additional Fiber Core / Line for 3G Donor because it could be multiplexed and demultiplexed by **HUXSaver™** on your existing optical fiber main core used for 2G Donor like below picture.

**HUXSaver™** is designed by specially coated TheFibers' Filter for both of 2G (wavelength 1310 and 1550nm) and 3G (wavelength 1510nm, 1530nm and 1570nm). It has high isolation (more than 30dB) but it could be supplied according to your application requested specification like A) type below.

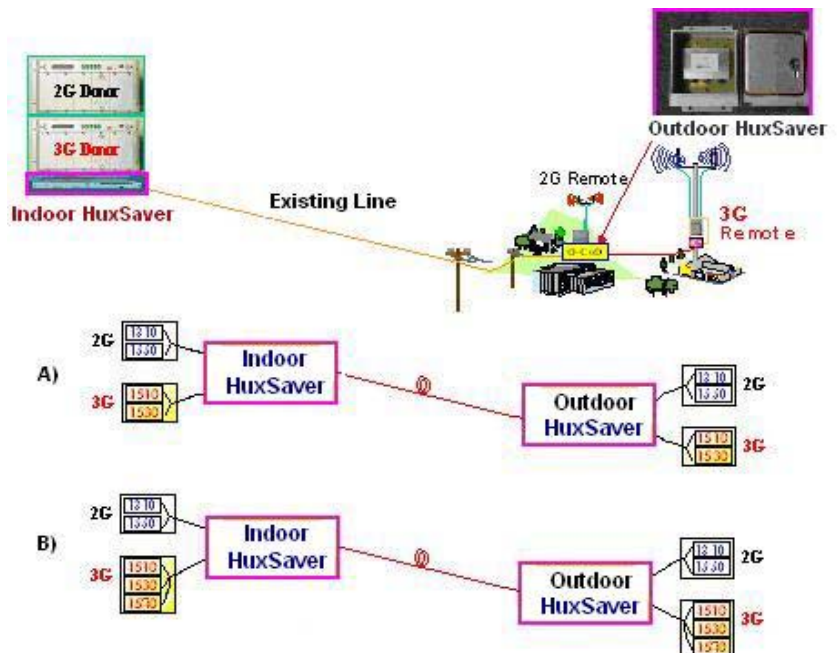
**HUXSaver™** is supplied by 19" Rack Mountable 1 Unit and LGX compatible. Maximum 4 LGX Modules could be put on this 1 Unit and this Unit has Optical Cable Tray to manage the cable safely on upper side separately. The LGX Module could be put on your Remote by screw easily.

### Special Features

- Cost Saving of Lease of Optical Fiber Line
- Consisted Donor Shelf and Remote Shelf
- 19" Rack Mountable 1 Unit for Donor
- LGX Compatible for Remote
- Fully Optical Passive Module Free Power
- Small Evaluation Order acceptable
- Fast Delivery within 1-2 weeks always

### Applications

- Mobile/Wireless Telecommunications
- 3G Optical Repeater with WCDMA for Reverse Path and Forward Path.
- Core Saving Applications



# HUXSaver™

## Optical 3G Repeater Core Saving Module

### Specifications

| Parameter                                   | Specification   |               |
|---|---|---------------|
| <b>Model</b>                                | <b>HUXSaver™</b>  |               |
| Common port Center Wavelength               | 1310/1510/1530/1550/1570nm                                |               |
| Pass port Center Wavelength                 | 1310/1550nm   |               |
| Reflect port Center Wavelength <sup>1</sup> | 1510/1530/1570nm  |               |
| Bandwidth                                   | 1310nm  | 1290 – 1350nm |
|   | 1510nm  | 1503 – 1517nm |
|   | 1530nm  | 1523 – 1537nm |
|   | 1550nm  | 1543 – 1557nm |
|   | 1570nm  | 1563 – 1577nm |
| Insertion Loss <sup>2</sup>                 | Pass Port   | < 0.8dB (Max) |
|   | Reflect Port  | < 0.8dB (Max) |
| Adjacent Port Isolation <sup>3</sup>        | Pass Port   | > 30dB (Min)  |
|   | Reflect Port  | > 30dB (Min)  |
| Optical Return Loss                         | > 50dB (Min)  |               |
| Polarization Dependent Loss                 | 0.1 dB  |               |
| Ripple                                      | < 0.5dB (Max)   |               |
| Band Rejection                              | > 30dB (Min)  |               |
| Wavelength Thermal Stability                | 3pm/  |               |
| Optical Gain Thermal Stability              | ±0.002dB/   |               |
| Operating Temperature                       | -20 to 70   |               |
| Dimension <sup>4</sup>                      | 483(w)x44(h)x400(d)mm/Unit<br>70(w)x15(h)x150(d)mm/Module |               |

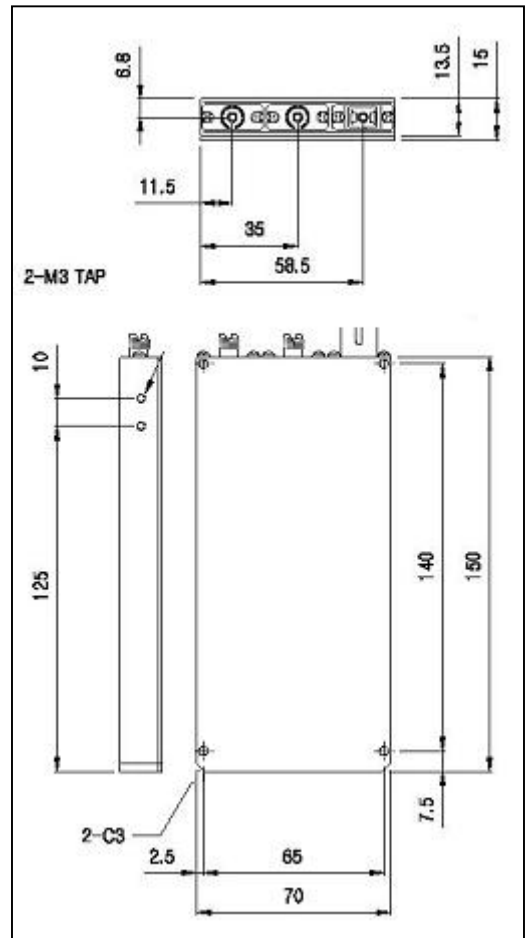
<sup>1</sup> The wavelength could be designed according to your application.

<sup>2</sup> This Insertion Loss is included all connector loss.

<sup>3</sup> The low Isolation module is available by more than 15dB to save cost.

<sup>4</sup> The Dimension could be changed according to your application requests.

### Dimensions



### Ordering Informations

#### P/N: HUXSaver-5

Optical 3G Repeater Core Saving Module for 5 Wavelength (HUXSaver-4: for 4 wavelength)

Package: 19" Rack Mountable 1 Unit with LGX Package Module

SC/APC Adaptors Type

\*Standard Set consist 19" Rack Mountable 1(one) Unit included 1(one) Module and 1(one) LGX Module separately.

† If you have any questions for the above specification, please contact to [sales@thefibers.com](mailto:sales@thefibers.com) or +82-11-722-9285.